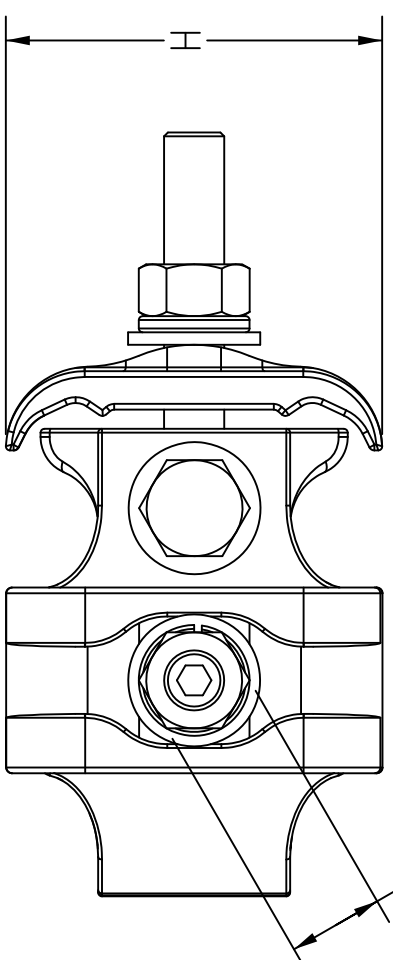
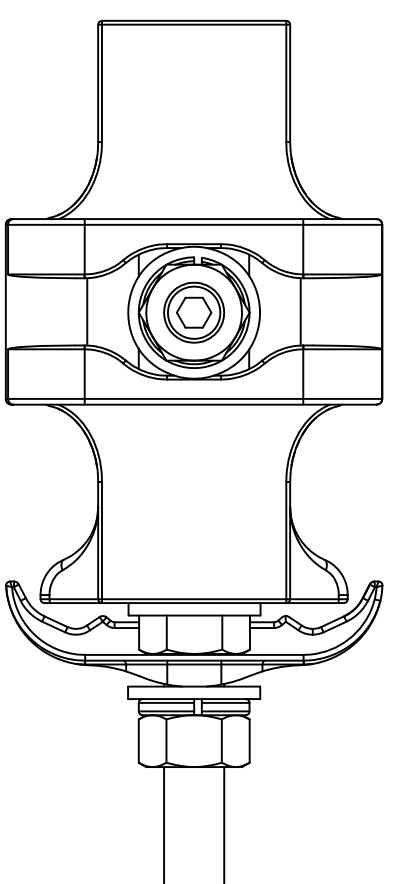


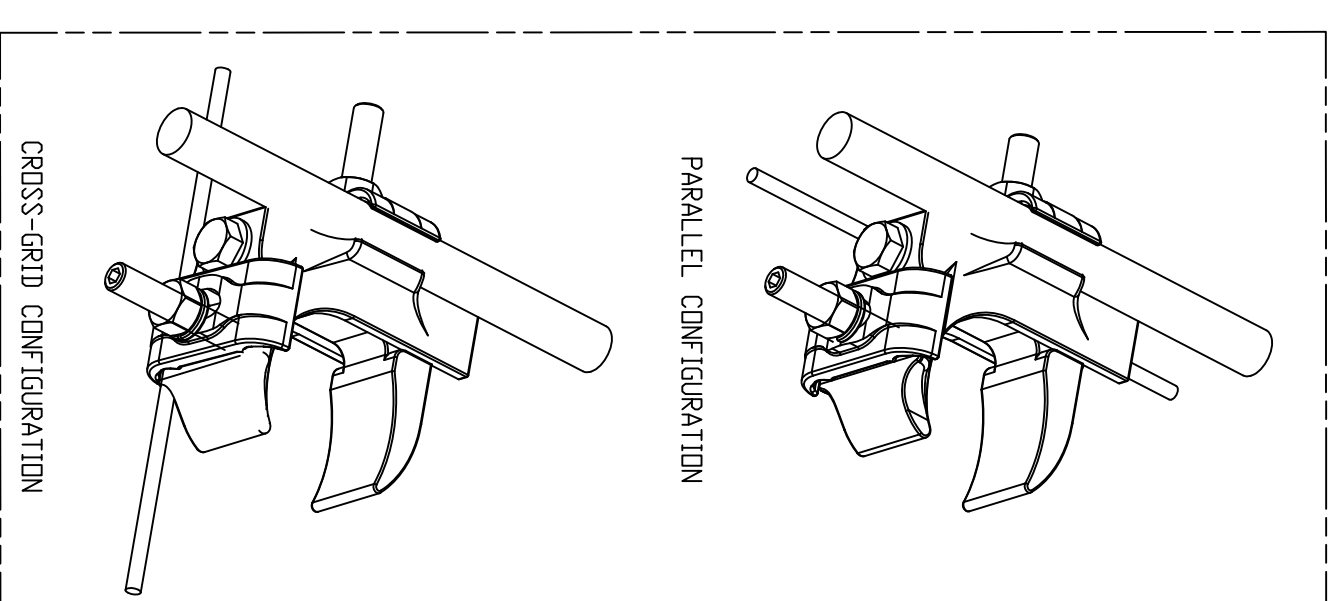
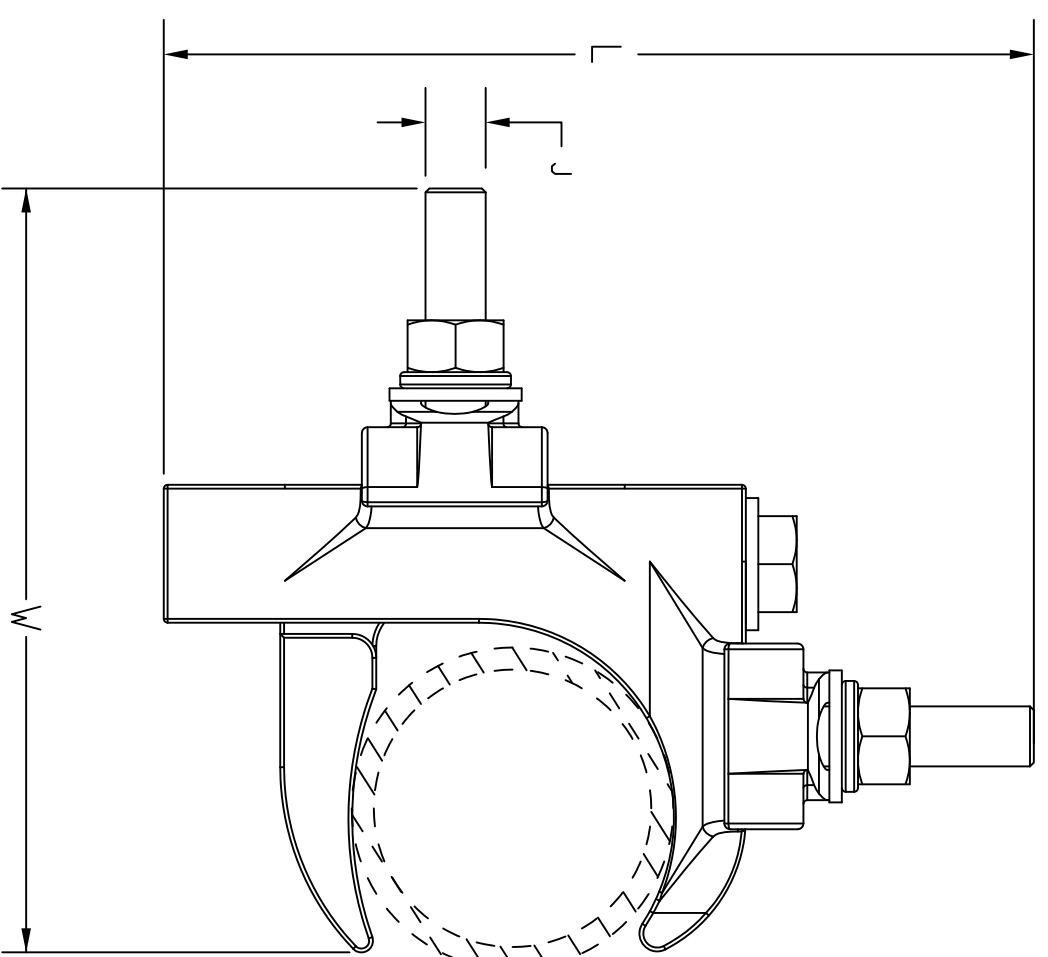
ITEM NO.	DESCRIPTION	QTY.
1	RAISED FLOOR CLAMP	1

CATALOG NUMBER	DESCRIPTION
HGBGXP1828RF	RAISED FLOOR CLAMP, COPPER

CONDUCTOR RANGE	PEDESTAL RANGE	REFERENCE DIMENSIONS				RECOMMENDED TORQUE	
		L	V	H	J	CONDUCTOR SADDLE (NUT)	PEDESTAL CLAMP (BOLT)
PARALLEL	CROSS-GRID	4.53 [115]	3.94 [100]	1.96 [50]	5/16 [81]	120 In-lbs	180 In-lbs
#6 SDL-4/0 STR	#6 SDL-4/0 STR	3/4" - 1 1/2" SQ [7/8" - 20" RND]					



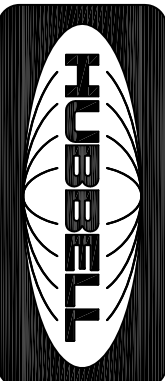
1/2" CROSS FLATS
(3 PLACES)



INSTALLED VIEW

- NOTES:**
- SPECIFICATIONS SUBJECT TO CHANGE WITHOUT NOTICE.
 - UL LISTED TO UL467 GROUNDING AND BONDING EQUIPMENT FOR US AND CANADA.
 - WIRES CAN BE INSTALLED IN EITHER A PARALLEL OR PERPENDICULAR ARRANGEMENT, AS SHOWN IN INSTALLED VIEW.

REV.	ECN	DATE	DESCRIPTION	CHG BY	APPD BY
1	17862	2/29/12	INITIAL RELEASE	CG	

Created on AUTOCAD		DIMENSIONING AND TOLERANCE PER ANSI Y14.5M-1982 UNLESS OTHERWISE SPECIFIED, DIMENSIONS ARE IN INCHES (MM). TOLERANCES .xxx = ±.01 (.25) .xxx = ±.005 (.127) .xxx = ±.0025 (.0635) ANGLE TOL ±1°		PROJECT REFERENCE: 2011-041		 <p>Hubbell Hubbell Incorporated (Delaware) 14 Lord's Hill Road, Stonington, Connecticut 06378</p>
IN ACCEPTING OUR DRAWINGS, BLUEPRINTS, OR SUPPORTING DOCUMENTATION FOR QUOTATION OR OTHER PURPOSES, YOU AGREE NOT TO DISCLOSE TO OTHERS THE IDEAS, INFORMATION, OR DESIGNS SHOWN HEREIN, AND THAT YOU WILL MAKE NO USE OF SAME WITHOUT PERMISSION.		MATERIAL: CAST COPPER ALLY WITH STAINLESS STEEL HARDWARE		DRAWN BY: C. GRIBBLE 2/29/12		
APPROVED BY:		CHECKED BY:		SIZE C		
SCALE: 1/1		SHEET 1 OF 1		DRAWING NO. HW514019C		
				REV. 1		